



Commercial Roof Hydrants



RHY1-1-MS

RHY2-1-MS

SRH-MS

RHMC-MS

Scan For Specifications,
Installation and
Troubleshooting



Freezeless Roof Hydrants are designed to facilitate a secure, exterior water source installation on commercial roof surfaces. The hydrant is installed through the roof and plumbed to the non-freezing interior water source. The hydrant is supported by a heavy duty cast iron (MS) Mounting System. All necessary mounting hardware for proper installation on a commercial roof is supplied, including a 2 degree shim for pitch adjustment.

Roof Hydrants are specified for washing condenser coils, windows, cooling towers, green roofs and other types of roof top equipment.

- Choose from 4 specific models.
- Order a complete Hydrant and Mounting System package or individual Hydrant or Mounting System units.
- All hydrants are operated by lifting the lever handle or turning a wheel handle.
- All repairs can be made from the top of the hydrant.

The patented **RHY1-1-MS** is the most reliable hydrant where backflow protection is not required. A 1/8" NPT tapped drain hole in valve body should be piped to a drain location to prevent freezing.

The patented **RHY2-1-MS** features a built-in vent that allows automatic draining when hydrant is shut off, even with a hose and device attached. A 1/8" NPT tapped drain hole in valve body should be piped to a drain location to prevent freezing.

The ASSE 1057 **SRH-MS** Sanitary Roof Hydrant requires NO drain line. With hose removed, a venturi action draws water out of the internal reservoir and discharges through the outlet. Note: Special operating instructions to insure proper evacuation.

The **RHMC-MS** Mild Climate Roof Hydrant is an excellent choice in non-freezing environments. The shut-off valve is located in the hydrant head and is wheel handle operated.

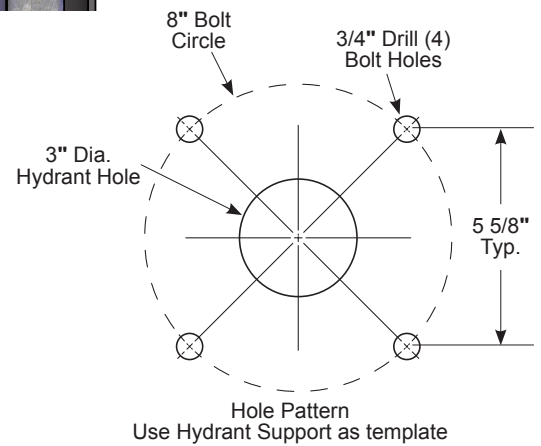
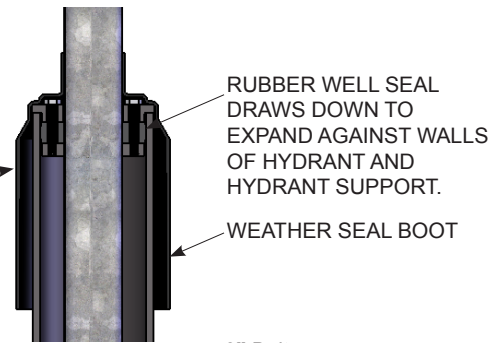
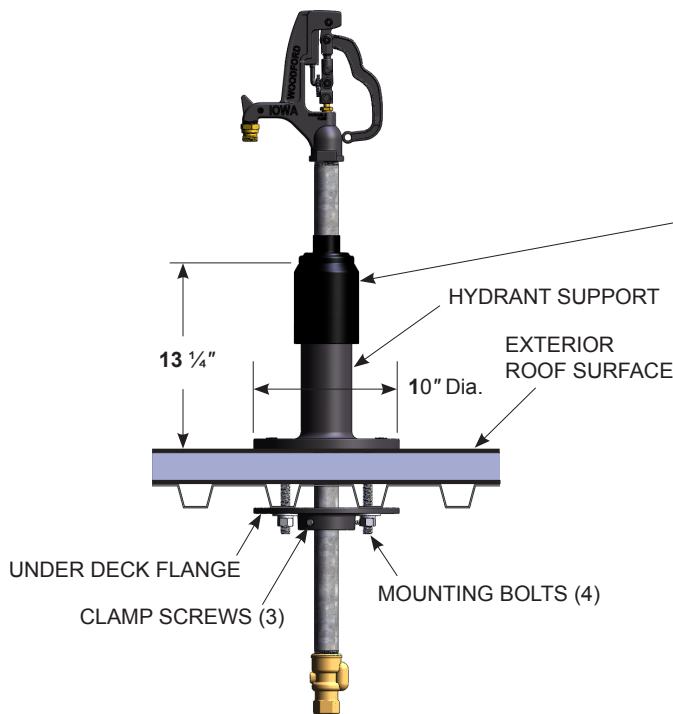
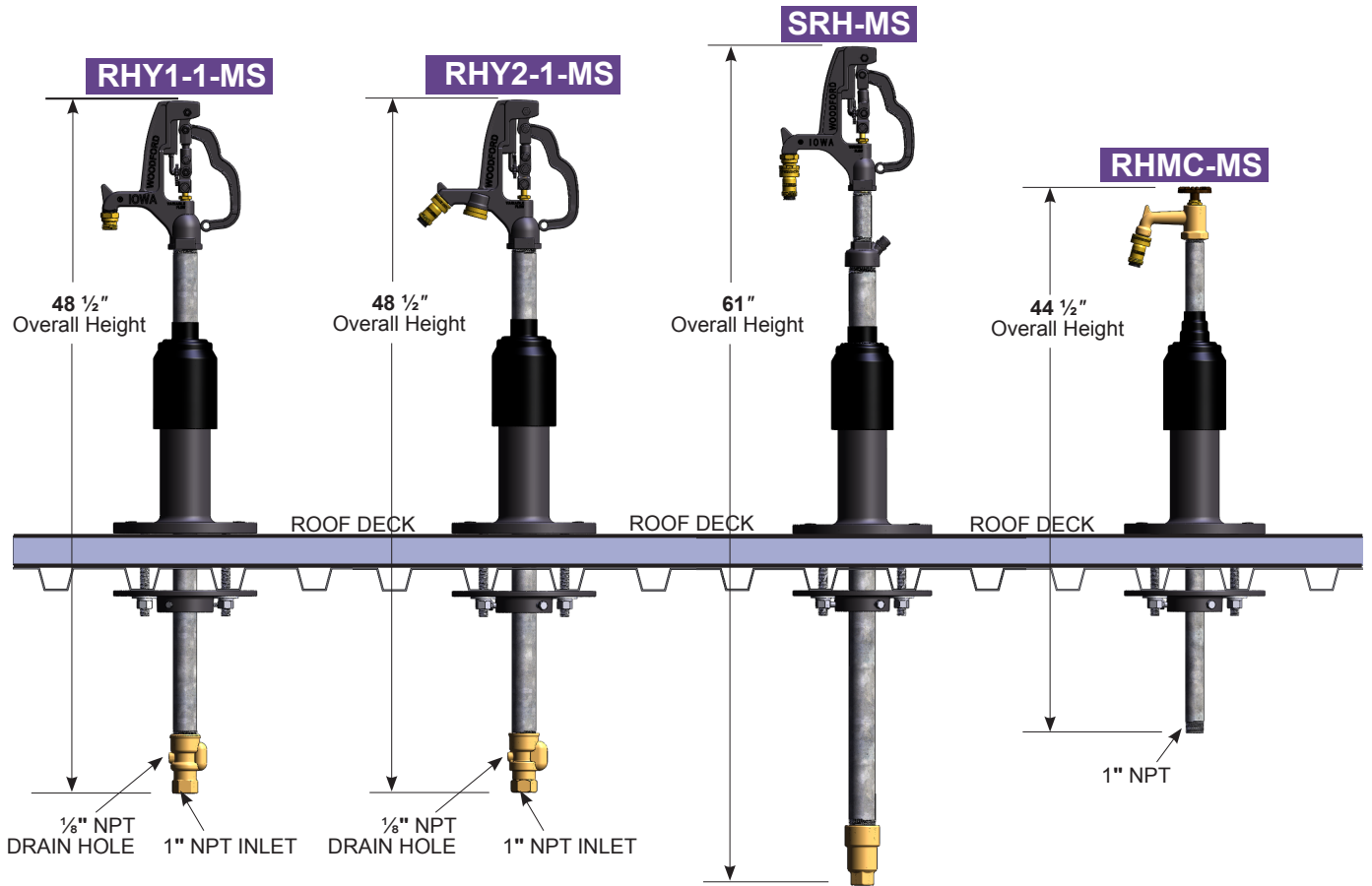
For information, please contact:

Freezeless ROOF HYDRANTS Model / Specifications

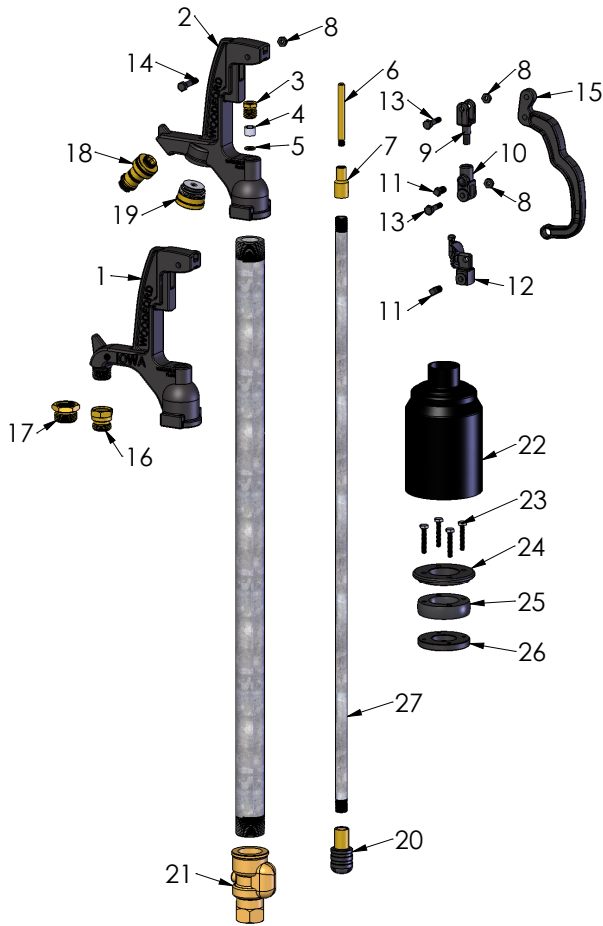


MODEL	Features	Inlet	Galv. Steel Pipe Casing	Shipping Wt. (Lbs)
RH-MS Mounting System ONLY	<ul style="list-style-type: none"> • Cast iron components • Grade 5, zinc plated mounting hardware 			32.7
RHY1-1-MS	<ul style="list-style-type: none"> • Cast iron head and handle assembly • Cast brass valve body with 1/8" NPT drain hole • 3/8" galvanized steel pipe Operating Rod w/brass stem • Adjustable Link for lever lock tension • Rod Guide eliminates side pull on operating rod • Automatic Flow Finder and Lock • Long Life graphite Packing • One piece variable flow Plunger and drain feature • Well Seal mounting system connector and protective boot • All maintenance and repairs are made from top of hydrant 	1" N.P.T. Female Thread	1-1/4"	20.7
RHY2-1-MS	<ul style="list-style-type: none"> • Same features as RHY1-1 • *ASSE 1052 Model 50HF Hose Connection Backflow Preventer • Automatic draining Diverter Vent (<i>Patent number 5,701,825</i>) • Well Seal mounting system connector and protective boot • All maintenance and repairs are made from top of hydrant 	1" N.P.T. Female Thread	1-1/4"	21.4
SRH-MS ASSE 1057	<ul style="list-style-type: none"> • Same features as RHY1 • *ASSE 1052 Model 50HF Hose Connection Backflow Preventer • NO DRAIN LINE REQUIRED • Superior reservoir evacuation times without removing the backflow preventer • Variable flow plunger • Well Seal mounting system connector and protective boot • All maintenance and repairs are made from top of hydrant • Note: Special operating instructions to insure proper evacuation. 	3/4" N.P.T. Female Thread	1-1/2" Reservoir Pipe	26.8
RHMC-MS Designed For Non-Freezing Areas Pipe does not drain	<ul style="list-style-type: none"> • Brass spout type head casting • *ASSE 1052 Model 50HF Hose Connection Backflow Preventer • Oval powder coated metal wheel handle • EPDM Packing • Adjustable brass packing nut with deep stem guard • Standard "O" size seat washer • Well Seal mounting system connector and protective boot • All maintenance and repairs are made from top of hydrant 	1" N.P.T. Male Thread	1"	11.4
Common to all Roof Hydrants	<ul style="list-style-type: none"> • Max Working Pressure; 125 P.S.I. • Max Temperature; 120° F 			

Freezeless ROOF HYDRANTS Rough-In Dimensions



Freezeless ROOF HYDRANTS Parts List

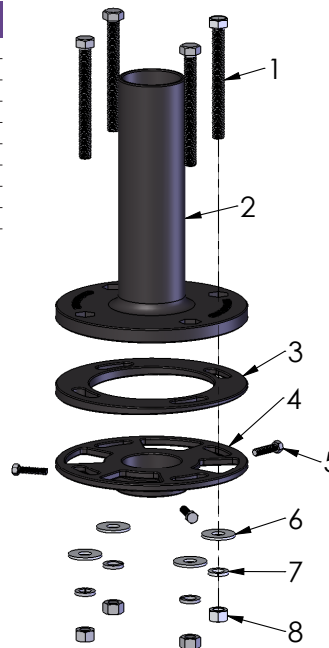


RHY1-1 & RHY2-1 PARTS LIST

ITEM	PART#	DESCRIPTION
	15244	RHY1 Head Assembly (Includes Items 2, 3-15 & 17)
	15245	RHY2 Head Assembly (Includes Items 1, 3-16)
1	10611	RHY1 Head
2	10612	RHY2 Head
3	10100	Packing Nut
4	10101	Packing
5	10102	Packing Support Washer
6	10104	Brass Rod Stem
7	10011	Reducing Coupling
8	10206	Hex Nut (3)
9	10614	RH Upper Link
10	15242	RH Lower Link (Includes Item 11)
11	10019	Set Screw (2)
12	15243	RH Cam & Clevis Assembly
13	10020	Link Bolt (2)
14	10021	Lever Bolt
15	10613	RH Lever
16	10004	3/4" Brass Hose Nozzle (Standard - RHY1)
17	10007	1" Brass Hose Nozzle (Optional - RHY1)
18	50HF-BR	Dual Check Backflow Preventer ASSE 1052 (RHY2)
19	15238	Diverter Assembly
20	10106	Y1 Plunger
21	10017	Y1 Valve Body (1" NPT Inlet)
22	10608	Boot, EPDM 1 1/4" Pipe
23	10606	Bolt, Hex Head 1/4-20 X 1 3/4" (4)
24	10582	Well Seal, Top
25	10609	Well Seal, EPDM
26	10583	Well Seal, Bottom
27	10023	Operating Pipe (35 1/2" Long)

RH-MS MOUNTING SYSTEM PARTS LIST

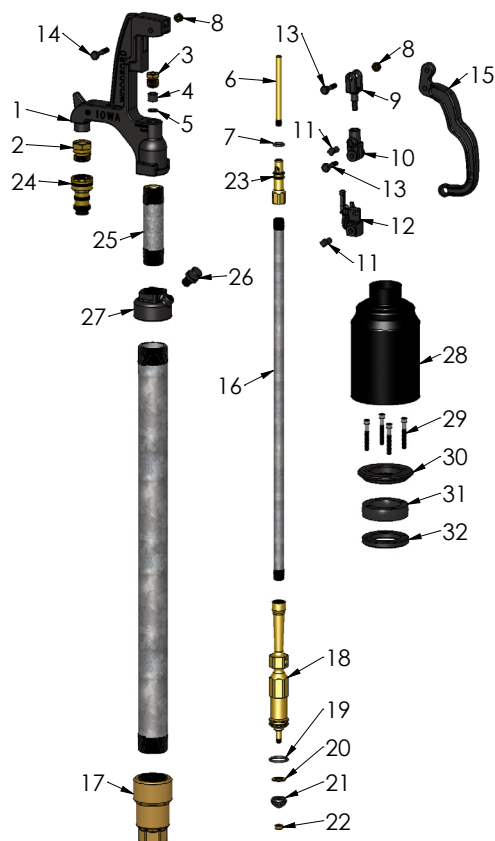
ITEM	PART#	DESCRIPTION
1	10584	Bolt, Hex Head 5/8-11 X 6" (4)
2	10579	Hydrant Support, Casting
3	10581	2" Shim, Casting
4	10580	Under Deck Flange
5	10607	Screw, Clamp 3/8-16 Hex Head X 1 3/4" (3)
6	10604	Washer, Plain 5/8 (4)
7	10605	Washer, Lock 5/8 (4)
8	10585	Nut, Hex 5/8-11 UNC (4)





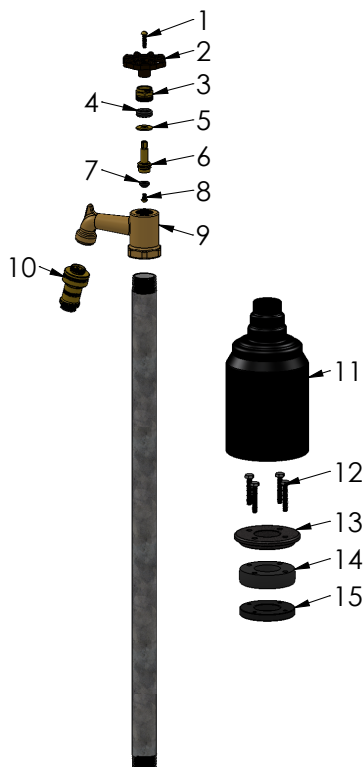
Freezeless ROOF HYDRANTS

Rough-In Dimensions/Parts List



SRH PARTS LIST		
ITEM	PART#	DESCRIPTION
	15126	SRH Head Assembly (Includes Items 1-15, 23 & 24)
1	10632	SRH Head
2	10004	3/4" Brass Hose Nozzle
3	10100	Packing Nut
4	10101	Packing
5	10102	Packing Support Washer
6	15121	Brass Rod Stem
7	10117	O-Ring - 206
8	10206	Hex Nut (3)
9	10614	RH Upper Link
10	15242	RH Lower Link (Includes Item 11)
11	10019	Set Screw (2)
12	15243	RH Cam & Clevis Assembly
13	10020	Link Bolt (2)
14	10021	Lever Bolt
15	10613	RH Lever
16	10024	Operating Pipe
17	15122	Valve Body (3/4" NPT Inlet)
18	15123	Venturi Assembly
19	10118	Valve Body O-Ring
20	50027	Support Washer
21	51013	Ball Valve Rubber
22	50028	Round Brass Nut
23	10116	Sealing Head Coupling
24	50H-BR	50H Backflow Preventer
25	15120	Upper Pipe Assembly
26	15124	SRH Vent Assembly
27	15125	SRH Casing Cover
28	10608	RH Boot, EPDM
29	10625	Bolt, Allen Head 1/4-20 X 1 3/4" (4)
30	10626	Well Seal-1 1/2", Top
31	10119	Well Seal-1 1/2", EPDM
32	10627	Well Seal-1 1/2", Bottom
	RK-SRH	Repair Kit (Includes items 3-7, 19-22)
	RK-RHL	Repair Kit (Includes items 8-15)

RHMC PARTS LIST		
ITEM	PART#	DESCRIPTION
1	30002	Handle Screw - Brass
2	30239	Wheel Handle - Metal
3	30107	Packing Nut - Brass
4	30247	EPDM Packing
5	30105	Packing Support Washer
6	30104	Operating Stem
7	30008	Washer
8	30009	Washer Screw
9	10631	RHMC Head
10	50HF-BR	50HF Backflow Preventer
11	10608	RH Boot, EPDM
12	10606	Bolt, Hex Head 1/4-20 X 1 3/4" (4)
13	10628	Well Seal - 1", Top
14	10623	Well Seal - 1", EPDM
15	10629	Well Seal - 1", Bottom
	RK-RHMC	Repair Kit (Includes items 1-8)



Freezeless ROOF HYDRANTS Information



NOTICE

• Freezeless Roof Hydrant valve bodies must extend below the roof surface and into heated area of the building for proper draining.

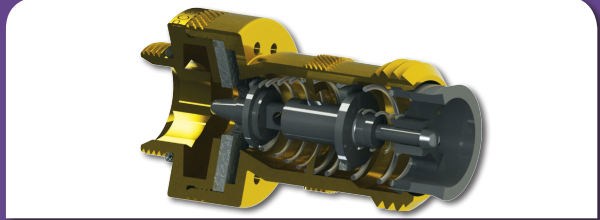
- All hydrants are intended For Irrigation and Outdoor Watering.
- All hydrants are not recommended for continuous use.
- All specifications are subject to change without notice.

Visit our website for Patent Information, Individual Spec. Sheets, Installation and Troubleshooting Instructions
www.woodfordmfg.com or call 1-800-621-6032

Limited 5 Year Warranty

All hydrants shown in this brochure are sold with a limited warranty for five years against defects in material and workmanship. We will replace or issue credit (at our option) for defective goods that are returned for inspection and found to be defective within five years of purchase from Woodford.

*NIDEL® Model 50HF Backflow Preventer



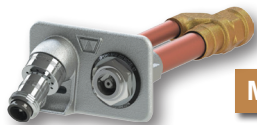
The patented NIDEL® Model 50HF high flow double check backflow preventer is standard equipment on specified Mild Climate wall faucet models. It is intended for irrigation and outdoor watering and is designed to protect hose connections from backflow contamination in freezing and non-freezing conditions.

The Model 50HF automatically drains when the hose is removed and unlike single check vacuum breakers can be field tested for reliability.

- ASSE 1052 Approved
- Field Testable (see instruction sheet)
- Two independent check valves
- Drains automatically when hose is removed
- No spray back

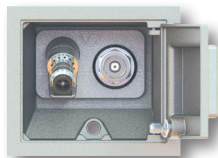
Commercial Wall Hydrants

Listed on separate brochure



Model 67

Model B65/B67
Rectangular Box & Door



Model
HC65/HC67
Hot & Cold



Woodford Manufacturing Company, LLC.
2121 Waynoka Road
Colorado Springs, CO 80915 USA
800-621-6032
800-765-4115 (Fax)
sales@woodfordmfg.com
www.woodfordmfg.com

© Woodford Mfg. Co. 2013 Printed in the U.S.A.